



VOLTAGE PROTECTION RELAY

VPR-17

APPLICATIONS

Electrical LV panels

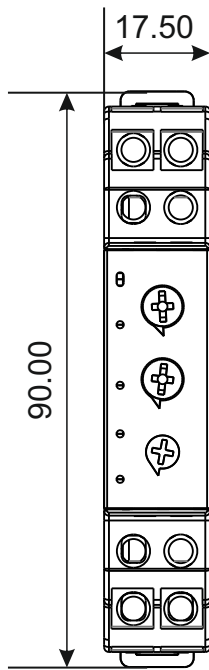
Distribution boxes

Automation panels

Special purpose machine

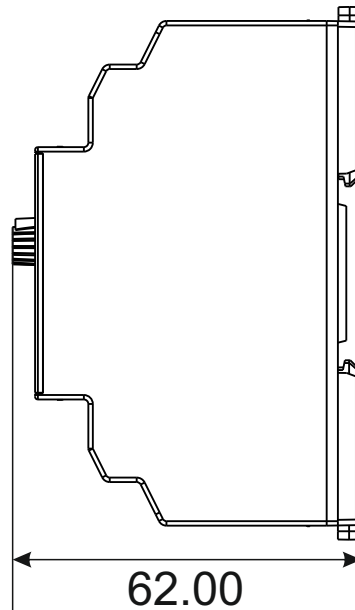
Air conditioning - HVAC

Mechanical Dimensions



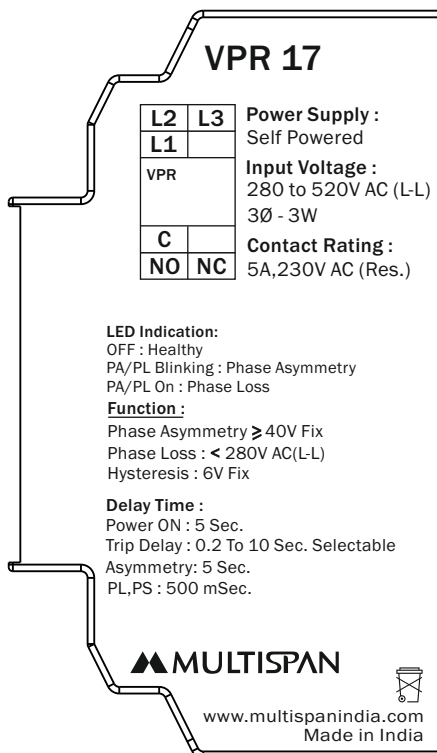
FRONT VIEW

All dimensions are in mm



RIGHT SIDE VIEW

Connection Diagram



TECHNICAL DATA

Mounting	DIN Rail Mounting
Output	1Relay 1 C/O 5A 230V AC (Res.)
Supply Voltage	280 to 520V AC, 50/60 Hz, 3Ø3W

FEATURES
<ul style="list-style-type: none"> • Auto Reset
Protection Available
<ul style="list-style-type: none"> • Under Voltage • Over Voltage • Phase Sequence • Phase Loss • Phase Asymmetry

LED Indication
<ul style="list-style-type: none"> • Under Voltage LED
<ul style="list-style-type: none"> • Over Voltage LED
<ul style="list-style-type: none"> • Phase Sequence LED
<ul style="list-style-type: none"> • Phase Loss : PL/PS LED ON
<ul style="list-style-type: none"> • Phase Asymmetry : PL/PS LED Blinking

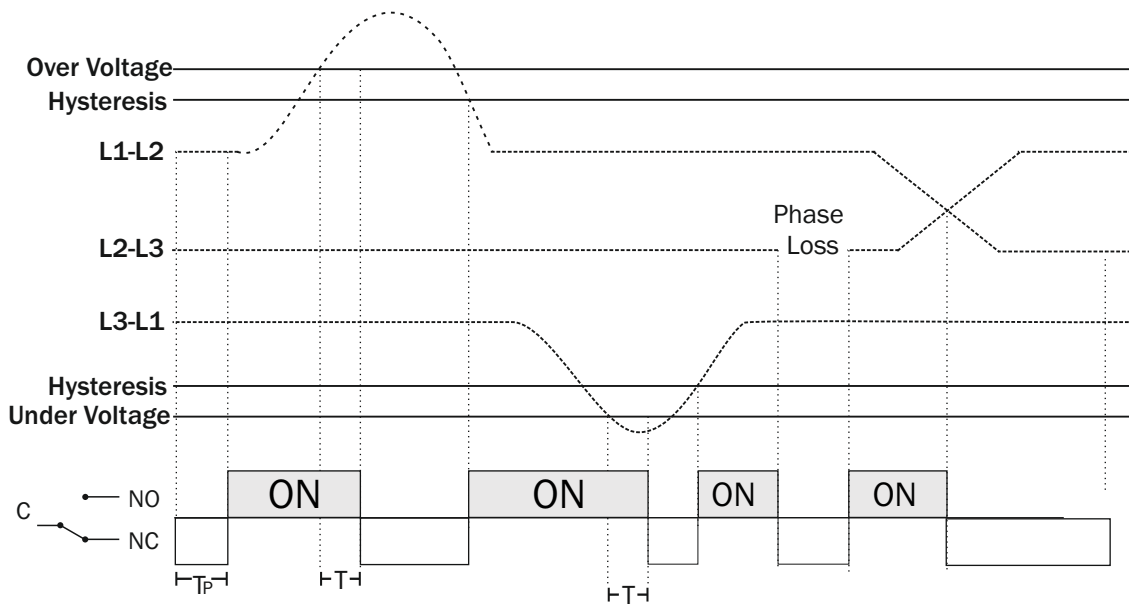
SUPPLY VOLTAGE	
Input Voltage	280 to 520V AC,3Ø3W
Burden	7VA @ 415V AC Max

Environmental	
Operating Temperature	0 to 55 °C
Storage Temperature	0 to 70 °C
Himidity	95% RH Non-condensing

TRIPPING PARAMETER	
Rated Voltage	415V AC (L-L)
<ul style="list-style-type: none"> • Under Voltage 	315 to 405 (L-L)
<ul style="list-style-type: none"> • Over Voltage 	425 to 515 (L-L)
<ul style="list-style-type: none"> • Phase Sequence 	500ms
<ul style="list-style-type: none"> • Phase Loss 	500ms
<ul style="list-style-type: none"> • Phase Asymmetry 	40V Fix

Dimensions	
Mounting	Din Rail Mounting
Bezel (HXW)	90 x 17.5 mm
Depth of Installation	62 mm

CONTROL FUNCTION



Phase Loss < 280V AC (L-L)
Phase Asymmetry 40V AC (L-L)
Hysteresis 6 V

T_p = Power ON Delay (5 sec)
 T = Trip Delay (0.2 to 10 sec)